

### APPLICATIONS

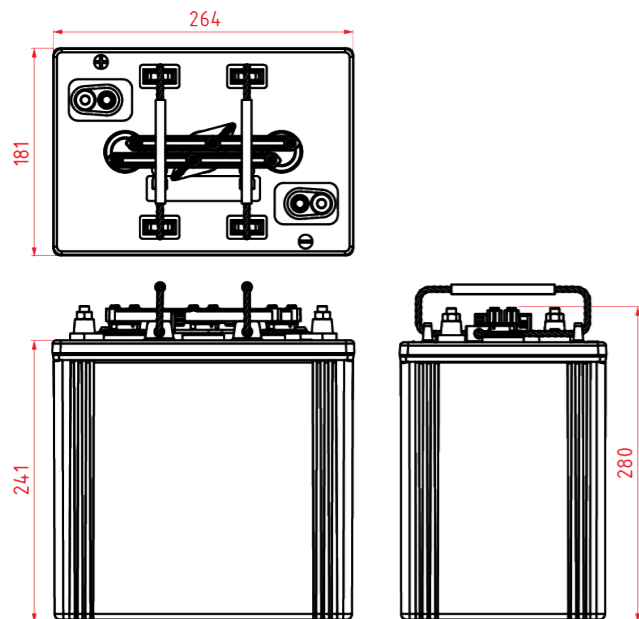
- Golf cart
- Buggy cart
- Other general purpose

### GENERAL FEATURES

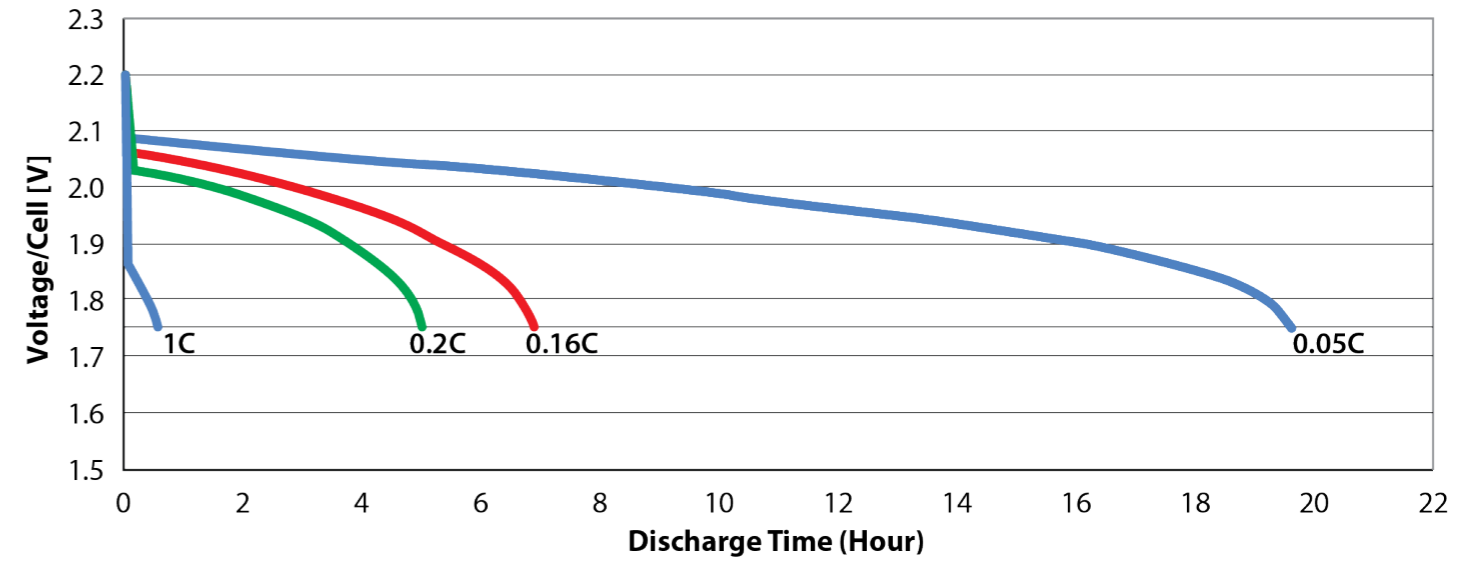
- High power efficiency
- Longer life time
- Longer discharge time

### SPECIFICATION

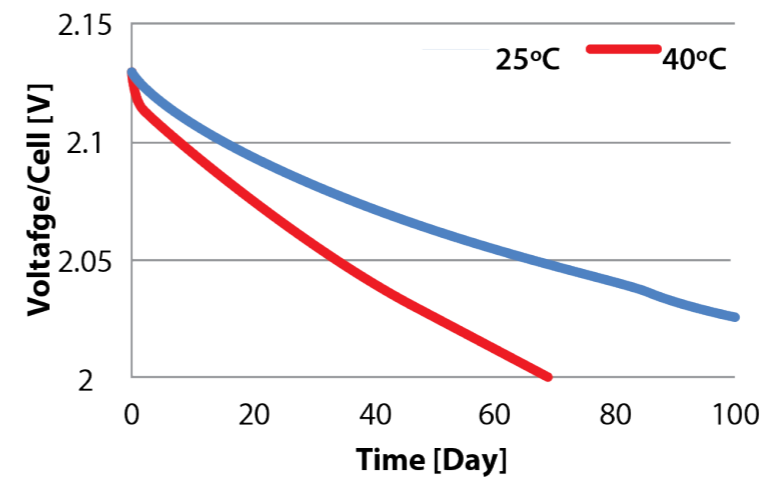
Nominal voltage	6V
Nominal capacity	225Ah
Reserve capacity	115 Min. (at 75A)
	450 Min. (at 25A)
Terminal	M8
Dimension (LxWxHxTH)	264 x 181 x 241 x 280 mm
Weight	25 kg (Approx.)
Container material	Polypropylene
Rated capacity	225Ah (20 hour rate)
	210Ah (10 hour rate)
	171Ah (5 hour rate)
Internal resistance	2.5 mΩ (Full charge at 25°C)
Max. discharge current	300 A (5s)
Operating temperature	Discharge : -20~40°C
	Charge : -20~40°C
	Storage : -20~40°C
Charge methode (25°C)	Charge current : Max. 22.5A
	Standby use : 6.75~6.90V, recommended 6.75V
	Cycle use : 7.35~7.50V, recommended 7.50V
Self discharge	10% capacity decline per month at 25°C



Capacity by Discharge Current



Self Discharge



Depth of Discharging Cycling Test

